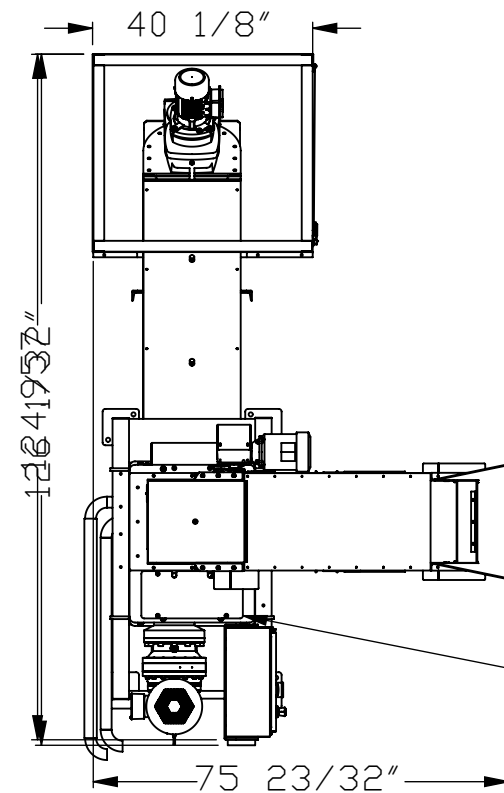


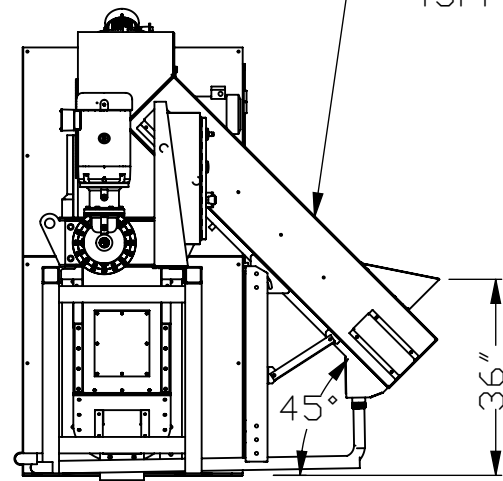
**PROPRIETARY INFORMATION**

THIS DRAWING IS THE CONFIDENTIAL PROPERTY OF AMOS MFG. INC. AND IS TRANSMITTED IN CONFIDENCE. THE REPRODUCTION, USE OR DISCLOSURE, IN WHOLE OR IN PART, OF THE DESIGN OR DETAILS CONTAINED HEREIN IS PROHIBITED WITHOUT THE EXPRESS WRITTEN PERMISSION OF AMOS MFG. INC.

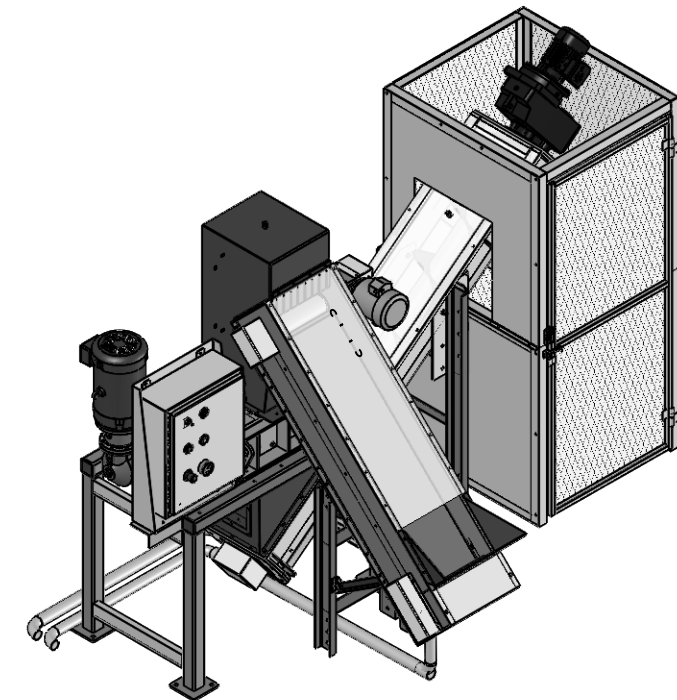
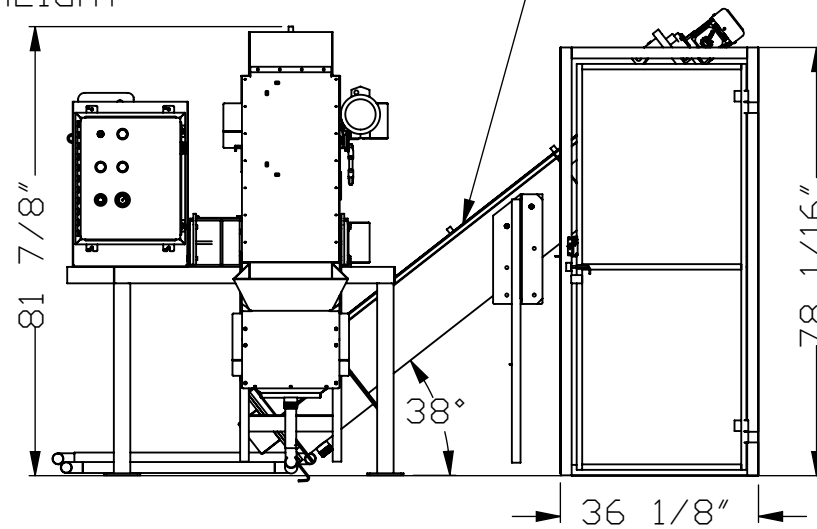


DS-10-21010  
MOTOR: 10HP 460V 3PH 60Hz  
CHAMBER 15"X15"  
SHRED WIDTH 5/8" NOMINAL

INFEED CONVEYOR  
12"BF X 84"L  
1/2HP MTR 460V  
45FPM 36" FEED HEIGHT



SCREW CONVEYOR  
13" DIA X 90"  
1HP MTR 460V



**SAFETY REVIEW**

THE NEED FOR SAFETY DEVICES VARIES WITH EACH APPLICATION OF THIS PRODUCT. THIS DRAWING MAY NOT INCLUDE ALL APPROPRIATE SAFETY DEVICES FOR YOUR APPLICATION. AS SYSTEMS INTEGRATOR, PLEASE ADVISE YOUR CUSTOMER OF DEVICES THAT ARE APPROPRIATE FOR HIS/HER APPLICATION, BASED ON YOUR SAFETY ASSESSMENT. DEVICES MAY INCLUDE, BUT ARE NOT LIMITED TO THOSE SUCH AS, ADDITIONAL GUARDING, SAFETY CONTROLS, BARRICADES, END STOPS, ETC. COMPLIANCE WITH FEDERAL, STATE, OSHA AND LOCAL LAWS OR CODES ARE THE RESPONSIBILITY OF BOTH YOU, AS THE SYSTEMS INTEGRATOR/DISTRIBUTOR, AND THE END USER.

**APPLICATION REVIEW**

PLEASE REVIEW THE MACHINE DESIGN FOR ITS ABILITY TO FUNCTION PROPERLY IN YOUR INTENDED APPLICATION. SYSTEM INTEGRATION AND APPLICATION REVIEW ARE NOT THE RESPONSIBILITY OF AMOS MFG. INC. THEREFORE, AMOS MFG. INC. MAKES NO CLAIM AS TO THE PERFORMANCE OF THIS DESIGN FOR ANY PARTICULAR PURPOSE OR APPLICATION.

**APPROVED**  
**AS SHOWN AS NOTED**  
**CO. NAME** \_\_\_\_\_  
**SIGNATURE** \_\_\_\_\_  
**DATE** \_\_\_\_\_

**AMOS MFG. INC.**

**PAINT COLOR:**

JOB NO:

DRAWN BY:

SCALE:

TITLE:

**APPROVAL**