

MATTRESS SHREDDERS

Amos Mfg.'s dual shaft shredders utilize a low-speed, high-torque design to break down the mattress materials for better separation. Amos also provides a mattress shear, which helps to liberate the wood components from the steel components of a box spring.

Recyclers are looking for a more efficient and less labor-intensive solution for breaking down mattresses and box springs, while also reducing landfill cost. The Amos team proposed a solution that includes a box spring shear table and a full system for shredding and separating mattress materials, including the foam, fabric and steel components.

FEATURES

- Hex Shafts
- Sealed Bearings
- Hard Faced Alloy Steel Cutters
- Overfeed and Overload Protection
- Monitoring with Auto Reverse Cycle
- Variable Speed Drive
- Torque Limiting Couplings

MATTRESS SHREDDER USERS

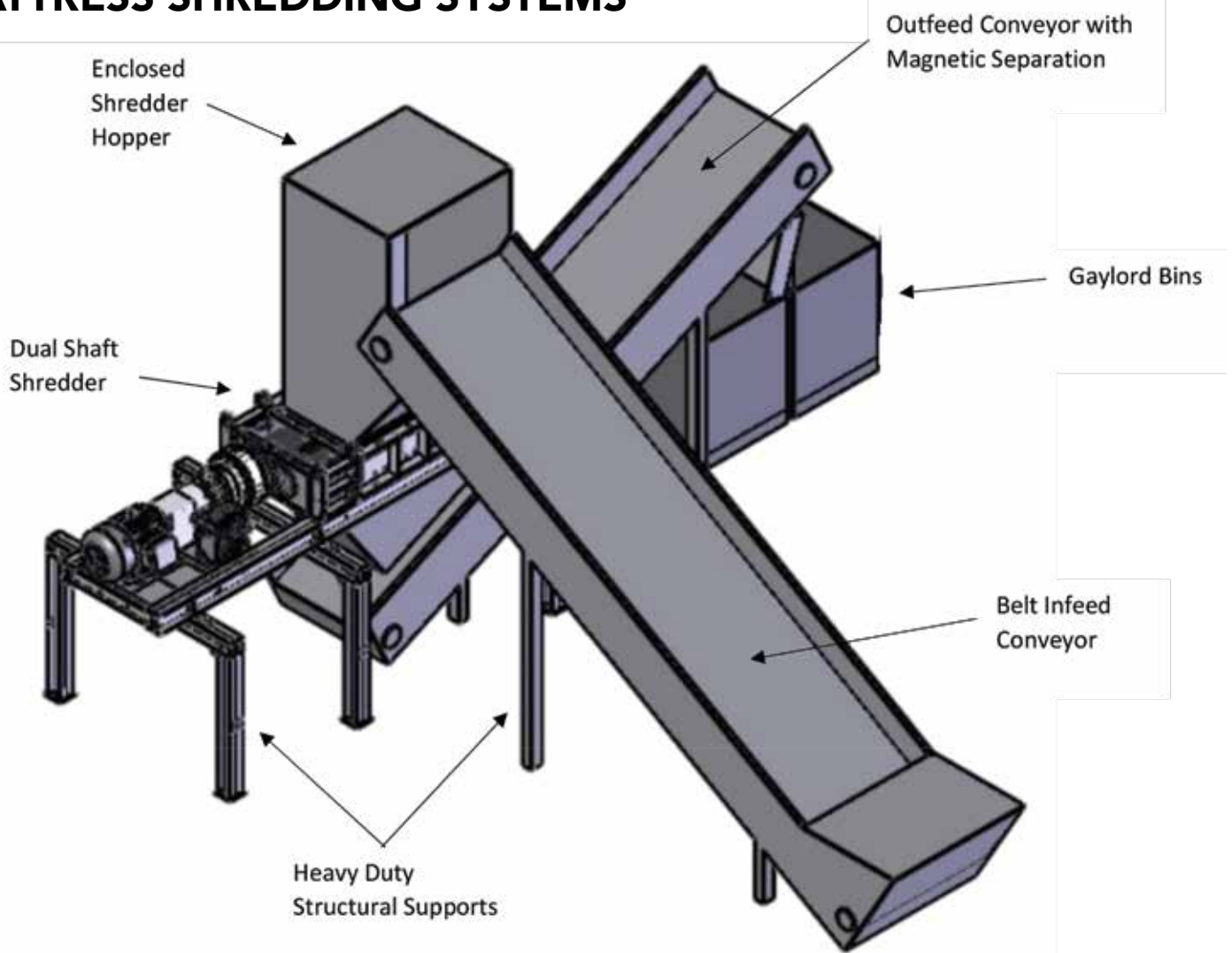
- Municipalities
- Manufacturers
- Recyclers
- Material Recovery Facilities

SCAN HERE
See the
DUAL SHAFT SHREDDER
in ACTION!



MATTRESS SHREDDERS

MATTRESS SHREDDING SYSTEMS



Ancillary Equipment and Options

- Enclosed/Open Hopper
- Secondary Shredder
- Infeed/Discharge Conveyor
- Magnetic Separator
- Vibratory Conveyor
- Box Tipper

